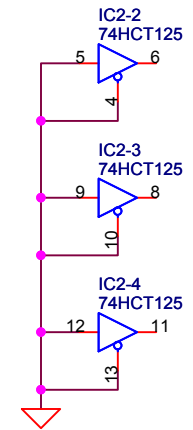
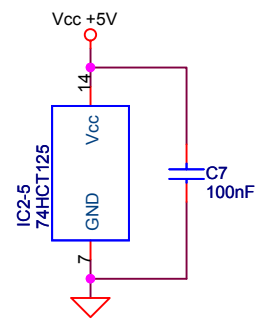
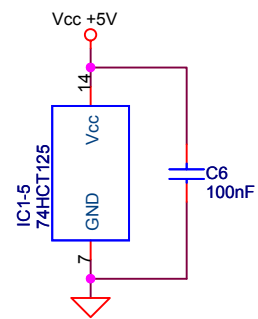
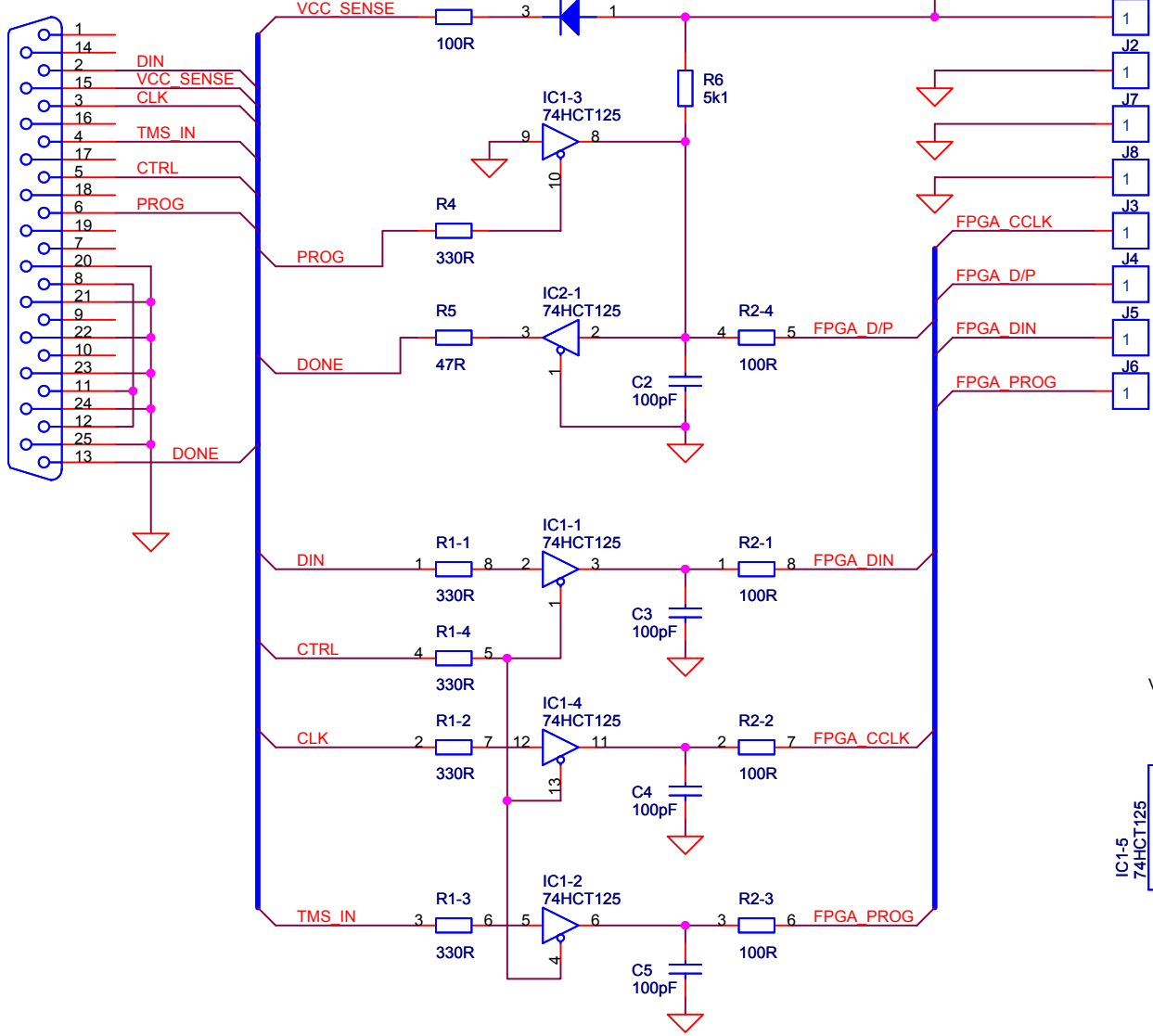


P1
CONNECTOR DB25



Title		
Xilinx JTAG Adapter		
Size	Document Number	Rev
A4	<Doc>	1.0
Date:	Monday, April 25, 2005	Sheet 1 of 1